



# Grow your business with **SHERP N 1200**

**Obstacles do not block the path, they are the path!**





**ANY SEASON, ANY WEATHER CONDITIONS, ANY TERRAIN**

**Obstacles do not block the path, they are the path!**



# ABOUT SHERP

- **QUADRO INTERNATIONAL** is a company with international quality standards certificate ISO 9001.
- The company, based in **Kyiv, Ukraine**, is the developer and manufacturer of the SHERP UTV, that has no analogues in the world in terms of its capabilities and characteristics and has no competitors in cross-country ability and maneuverability.
- It took us 20 years to develop a reliable amphibian UTV that can move on any surface and overcome the most difficult natural obstacles: challenging elevations and hills with a slope of 40 degrees, floating on the water with a cargo (water basins, marshes, ice) and ground surfaces (stone fields, sand, snow, fallen timber).
- The SHERP all-terrain vehicle is a reliable assistant for specialists who overcome natural difficulties as a part of their profession: geologists, oil workers, rescue agents, fishermen, hunters, extreme drivers, and travelers.



# BRIEF HISTORY OF DEVELOPMENT

2012

The first **SHERP** all-terrain vehicle was produced and presented in **2012**.



2018 **SHERP** became an **official provider for UN**.



2015 the **SHERP Factory** was opened in Kyiv, Ukraine.



2019 **SHERP** was recognized by Fleet Award as **the most effective vehicle for UN**.

**SHERP Rentals**

2020 was initiated new business-line **SHERP Rental Solution**.



2016 the **British Top Gear** auto show called **SHERP** "a tank for two."



2019 introduction of new **SHERP Ark** and **SHERP the Shuttle**.

**FUN**

2020 was initiated new business-line **FUN Park**.



2017 **SHERP** opened its **North American office** in Winnipeg, Canada.



2020 launching of new model **SHERP N 1200**.



2020 strategic synergy **SHERP** with **ARGO** (North America) launched.

**Much more to come ...**







## OUR MISSION

We believe the world would be a better place if we had more confidence to overcome any obstacles on our way



## OUR VALUES

Honesty and openness. Self-discipline and accountability.  
Creativity. Meritocracy.  
Continuous improvements



## OUR VISION

We want to be a technological global company with lean philosophy and product leadership. Be ready for successful IPO



# QUALITY STANDARDS & WORLDWIDE RECOGNITION

The production management is carried out in line with the **ISO 9001** standard, which allowed the company go international and successfully sell SHERP in many other countries.



The development led to the creation of a unique product, covered by patent protection **worldwide**.





# INNOVATION & TECHNOLOGIES



Parts are made of DOCOL steel, which is resistant to deformation due to high yield strength (1000 MPa), which indicates its strength and resistance to deformation. All parts of the mechanism have a zinc coating, which extends the service life by 30 years.



The exterior coating of the all-terrain vehicle is Raptor polyurethane paint. This type of coating has soundproof and water repellent properties. Professional paint Raptor protects against mechanical damage, corrosion, mould, chemical exposure (fuel, machine oil).



The heart of the SHERP N and SHERP the Ark is the high technology Doosan engine (Korea).

Doosan Infracore Engine Business Group manufactures eco-friendly, high efficient and optimum performance engines, aiming to add value to customer and as well as environment.



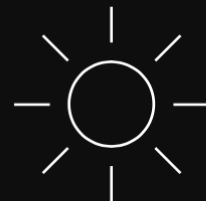
The transmission is equipped with a manual gearbox RENAULT (JR5), which has shown its best side in terms of reliability, smooth shifting and gear ratios.



# SHERP N 1200

Service temperature

**-40°C**

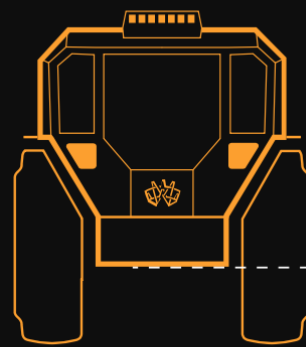


**+40°C**

climb  
descent  
**35°**

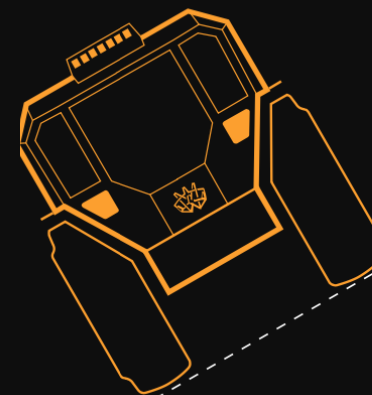
**1 m**  
(3 ft)

height of obstacles



**0.6 m**  
(24 in)

clearance



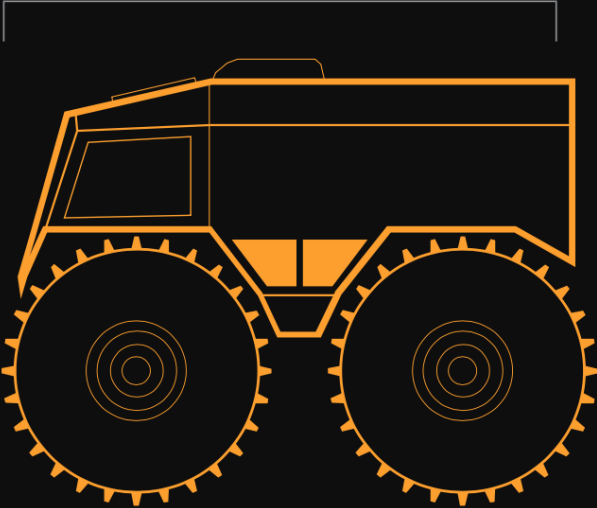
tilt  
**30°**



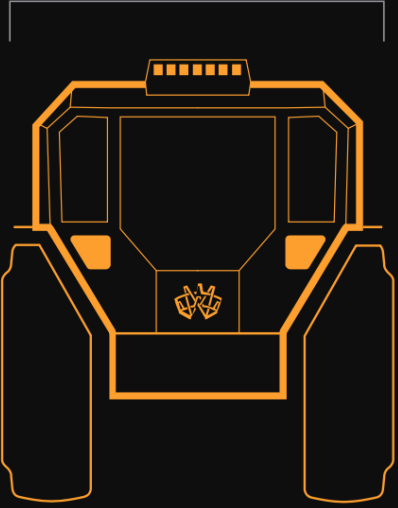


# Overall dimensions

**3984 mm**  
(156 in)  
length



**2570 mm**  
(101 in)  
width

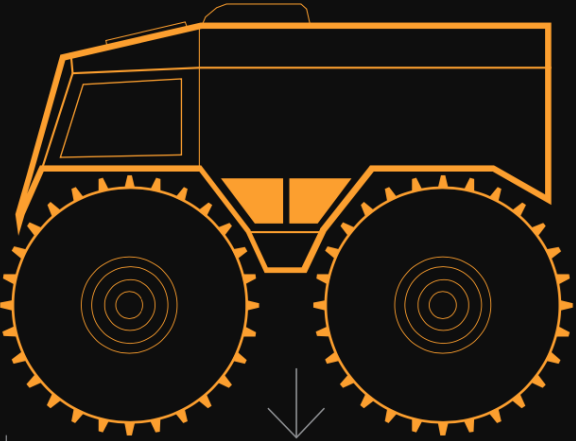


**1200 kg** (2640 lb)



**The driver**  
**+ up to 8 passengers**

**2846 mm**  
(112 in)  
height



**2200 mm**  
(86 in)  
wheel base

**2400 kg** (5180 lb)



## Max. Speed



Grounds

**40 km/h (25 mph)**

grass, gravel, sand, peat, moor, marsh, sand, dunes, rocks, scree, snow, ice, climbing from water to ice



Water

**6 km/h (3.7 mph)**

ponds, lakes, rivers, sandbanks, shores, coasts, frozen waters ...

## Fuel autonomy



DIESEL

**95-327 L (25-86.2 lb)**

**from 5 lph (1.3 gph)**

Fuel tank volume of **95 L (25 gal)** plus 4 fuel canisters **58 L (15.3 gal)** of each canister) gives you possibility to drive more than **61 hours** of autonomy and **14 hr non-stop running** just with main fuel tank





SHERP

# CONSTRUCTION

---

Companies that are involved in real estate development, construction and dredging work in hard-to-reach places.

SHERP helps them to deliver equipment and personnel to remote area, where it has proved its efficiency and safety in comparison to analogs. SHERP enables work in all weather and natural condition and replaces hovercraft, snowmobiles, trucks, and boats at once.



# OIL & GAS

---

Companies that are involved in mining, mineral processing, pipelines, rigs maintenance and transportation.

They use SHERP as a support unit for pipelines and rigs maintenance, which solidifies durability and efficiency working throughout wetland and marshy areas. Praised for low ownership costs and being the only UTV to climb on the thin ice or high shores





# SEARCH & RESCUE

---

All-kind of organizations that protect and save people.

SHERP helps them to rescue people from flooded areas, airplane crash recoveries, rescue operations on ice, medical evacuation, fire extinguishing.

# HUMANITARIAN

---

Humanitarian organizations, which are involved in supply activities.

The use of SHERP positively impacts effectiveness of food transport operations, allowing to reach target locations irrespective of seasonal and weather conditions.



# MINING & EXPLORATION

---

Geo-exploration, surveying and mining companies.

SHERP is widely used as the exploration unit and equipment carrier, with significantly higher speed and set-up time compared to traditional carriers. It has been appreciated for ability to move on the unstable soils in different weather conditions that prevents idles.

# POWERLINES

---

Energy companies that are in business of power generation and infrastructure management.

SHERP is especially valuable in this industry as a support unit for power-grids repair and maintenance operations at hard-to-reach areas and harsh terrain. It allows to restore power supply faster and decrease down-times, offers more capabilities on the off-road, and versatility in terms of equipping .



# RECREATION

---

Hunting, fishing, outlet companies, offroading, leisure, tourism.

SHERP oof-road capabilities were appreciated not only by businesses and municipal services but also by outdoor enthusiasts. Fishermen, hunters, travelers and off-roaders around the world rely on the phenomenal all-terrain and autonomy of SHERP beyond civilization.

# CUSTOM SOLUTIONS

---

One of our key priorities is responding to requests for amphibious vehicle with high passability and ample opportunities, as well as finding comprehensive solutions for target audiences - cargo delivery, people transportation, using special equipment in the remote locations

# SHERP ADVANTAGES

**01**

**Load capacity  
increased by 20%**

**02**

**Up to 9 seats**

**03**

**Internal volume of  
New Sherp  
increased by 50%**

**04**

**Internal volume of  
Cabin increased by  
30%**

**05**

**Advanced interior  
ergonomics**

Driver seat is much more comfortable even for people with large stature. Controls, such as levers of the rotation mechanism and various devices and buttons are located in more convenient and accessible places.

**06**

**More powerful  
engine 55 hp  
compared to 44 hp**



**07**

**More eco friendly engine,  
meets Stage 5 / Tier-4-final  
emission standards**

**08**

**Increased wheelbase,  
allows to move with great  
comfort on difficult terrain**

**09**

**Larger tires 1800 mm  
high, which gives  
more passability**

**10**

**Chains located in closed  
oil baths - no need to  
service and lubricate**

**11**

**Warranty period is 2000  
m/h or 1 year (whichever  
comes first)**

**12**

**Engine warranty period  
is 3 years or 3000 m/h  
(whichever comes first)**







## **EXCELLENT DRIVEABILITY, WELL-THOUGHT ERGONOMICS**

Driving SHERP UTV is easy and can be quickly mastered after a few kilometers. The UTV's well-thought ergonomics makes it comfortable to use for any purposes.











## TURNING MECHANISM

The UTV is able to turn around almost on the spot. This maneuverability is extremely important in the wild, where each centimeter can be crucial.



# SKID STEERING

Side-turn steering deprives SHERP of costly vulnerabilities specific to classic steering systems.

The friction mechanism employed by SHERP makes turning easier. It is equipped with hydraulic steering system, so less driver efforts are needed when maneuvering. The turning mechanism is reliable and simple.





# **PNEUMOCIRCULATING SUSPENSION**

---

Pneumocirculating suspension is a unique patented solution that ensures smooth and even movement of the UTV on any surface.

The suspension design does not include any springs, shock absorbers, struts and other conventional elements. Fewer parts, higher reliability, fewer breakdowns, lower repair costs.

## **TIRE INFLATION SYSTEM AND ADJUSTABLE TIRE PRESSURE**

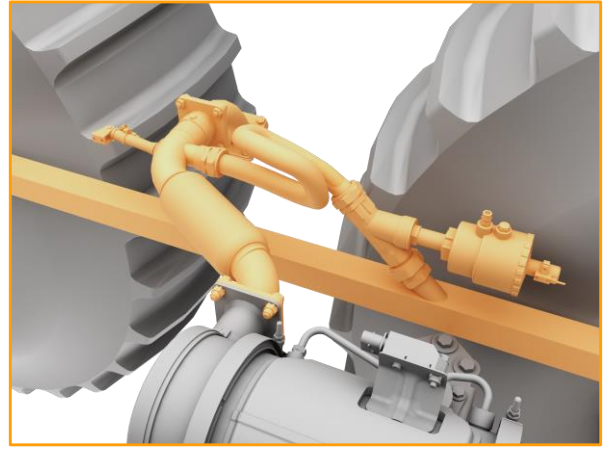
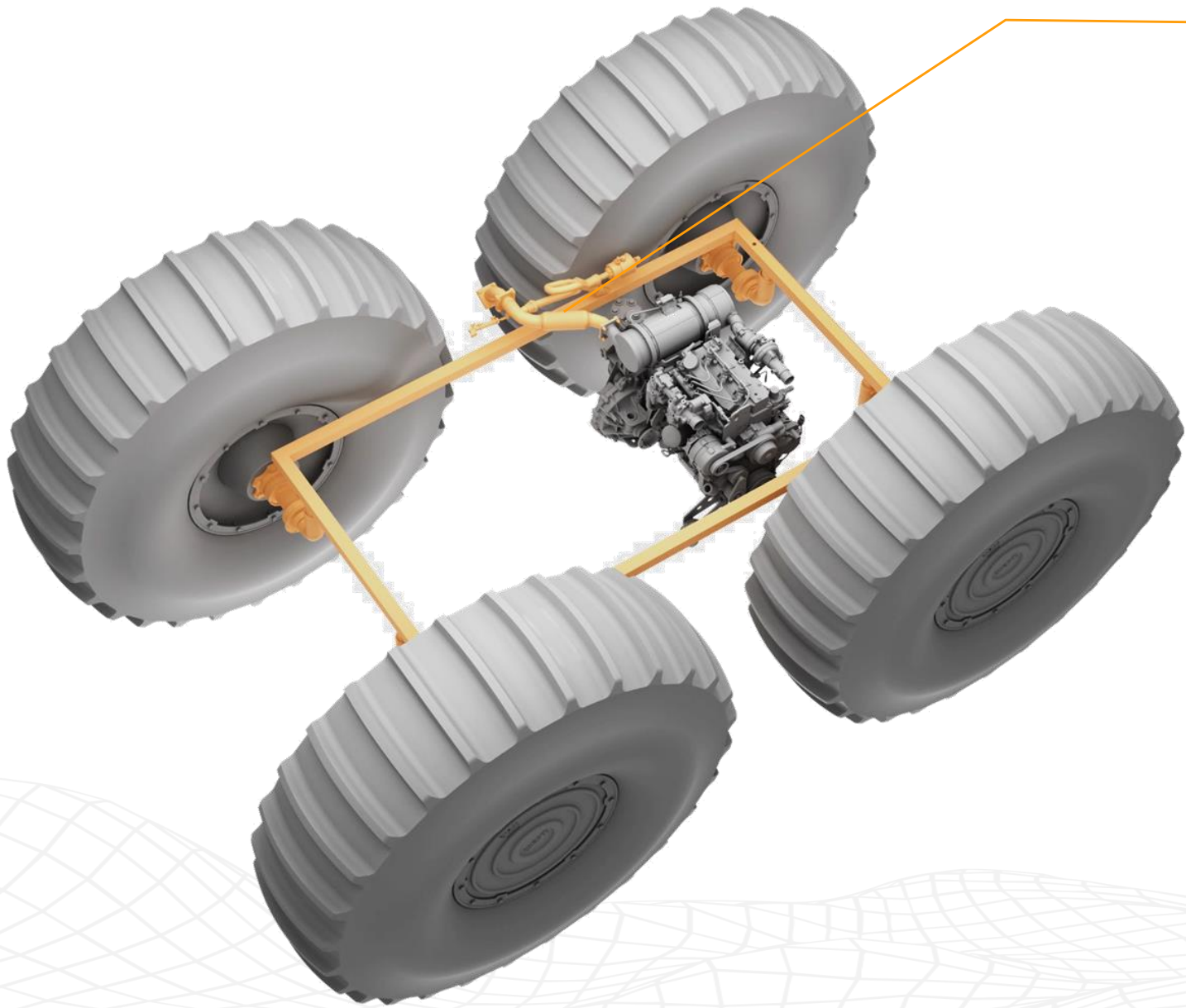
---

The specific design of the pneumocirculating suspension allows quick electrically adjustable inflation of tires. It takes less than 60 seconds to reach the operating tire pressure.

This feature allows quickly changing tire pressure on the move, properly adapting it to various types of surfaces for the most efficient travel mode.







# SHERP ADVANTAGES



# TUBELESS ULTRA LOW-PRESSURE TIRES

Unique ultra low-pressure tires are a key innovation, specifically designed for SHERP. The four tires are interconnected by a special "eco-circuit" and pumped up by the exhaust gases.

Due to this technology, the wheels act as a suspension and allow the car vehicle to overcome any humps and bumps of the expedition routes. The system does not need any air compressor, so it keeps the SHERP light and reliable.







SHERP consumes 5-8 liters of diesel fuel per hour on average. Fuel consumption depends on the type of surface.

SHERP has 58 L (15.3 gal) fuel tanks integrated in each of the wheel disks. When all four tanks are full, total fuel capacity increases by 232 L (61.2 gal), while the internal compartment of the UTV remains available and can be used to store supplies, tools, equipment etc.

## FUEL EFFICIENCY



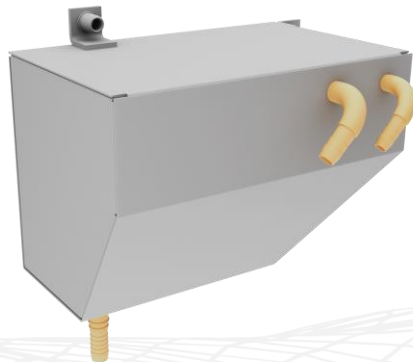
## CLIMBING 35° SLOPES

---

SHERP easily overcomes most of the types of rough terrain, including slopes with an angle of up to 35°. This is an excellent proof that SHERP is ready for the toughest challenges.

## ABILITY TO MOVE WHEN TILTED

---



To eliminate “fuel starvation” effect in case of prolonged driving with roll or trim, the fuel system of SHERP has an additional small fuel tank. It is located above the engine level, making sure that fuel always comes to the engine.









## **DOCOL STEEL**

The bottom is made of Docol steel. The yield point of this steel reaches 1000 MPa, while zinc coating provides longer service life.



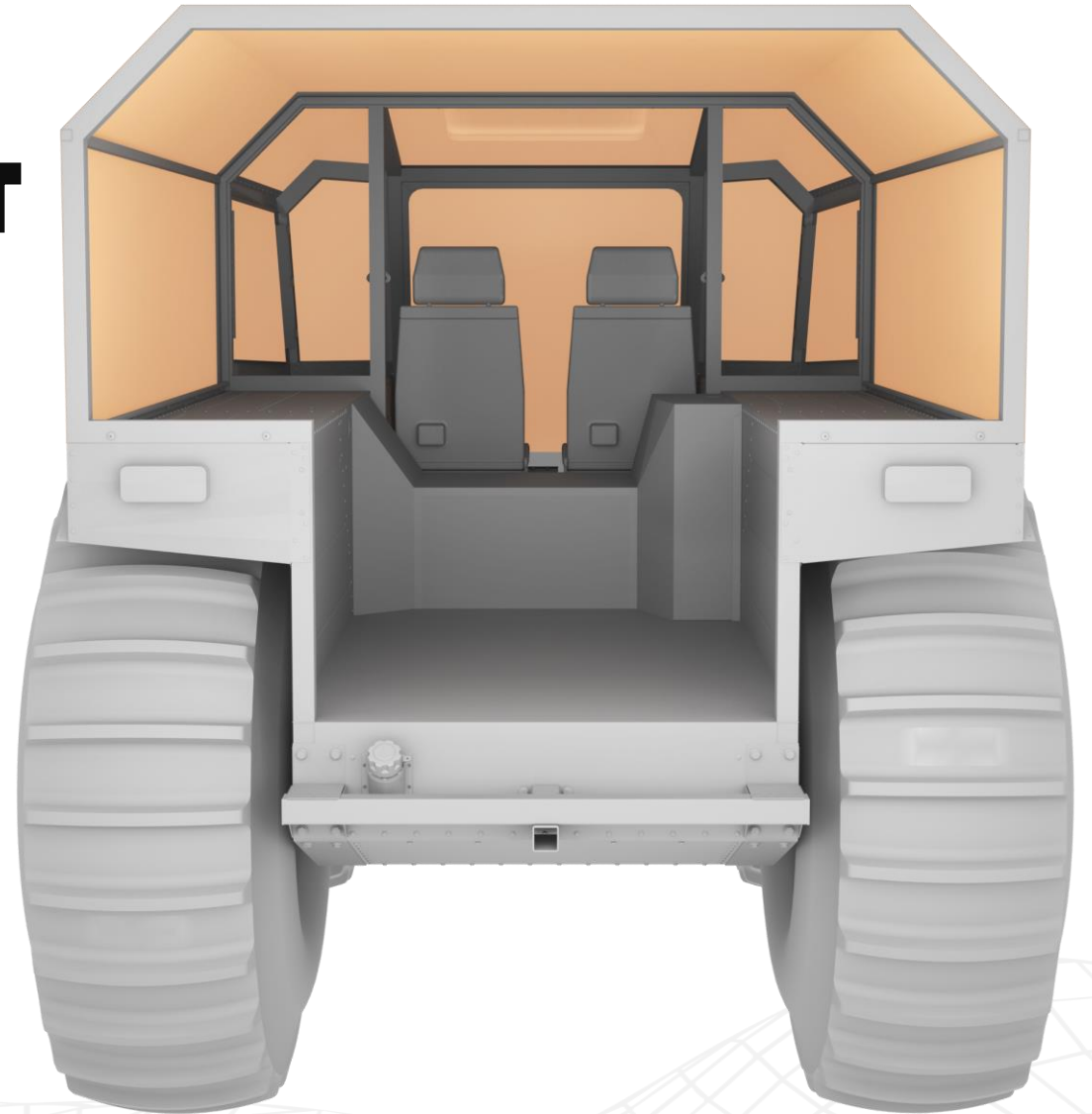
To prepare SHERP for long and challenging operation, the designers paid special attention to the choice of body material. The use of aluminum makes the UTV body corrosion-resistant, light and durable.

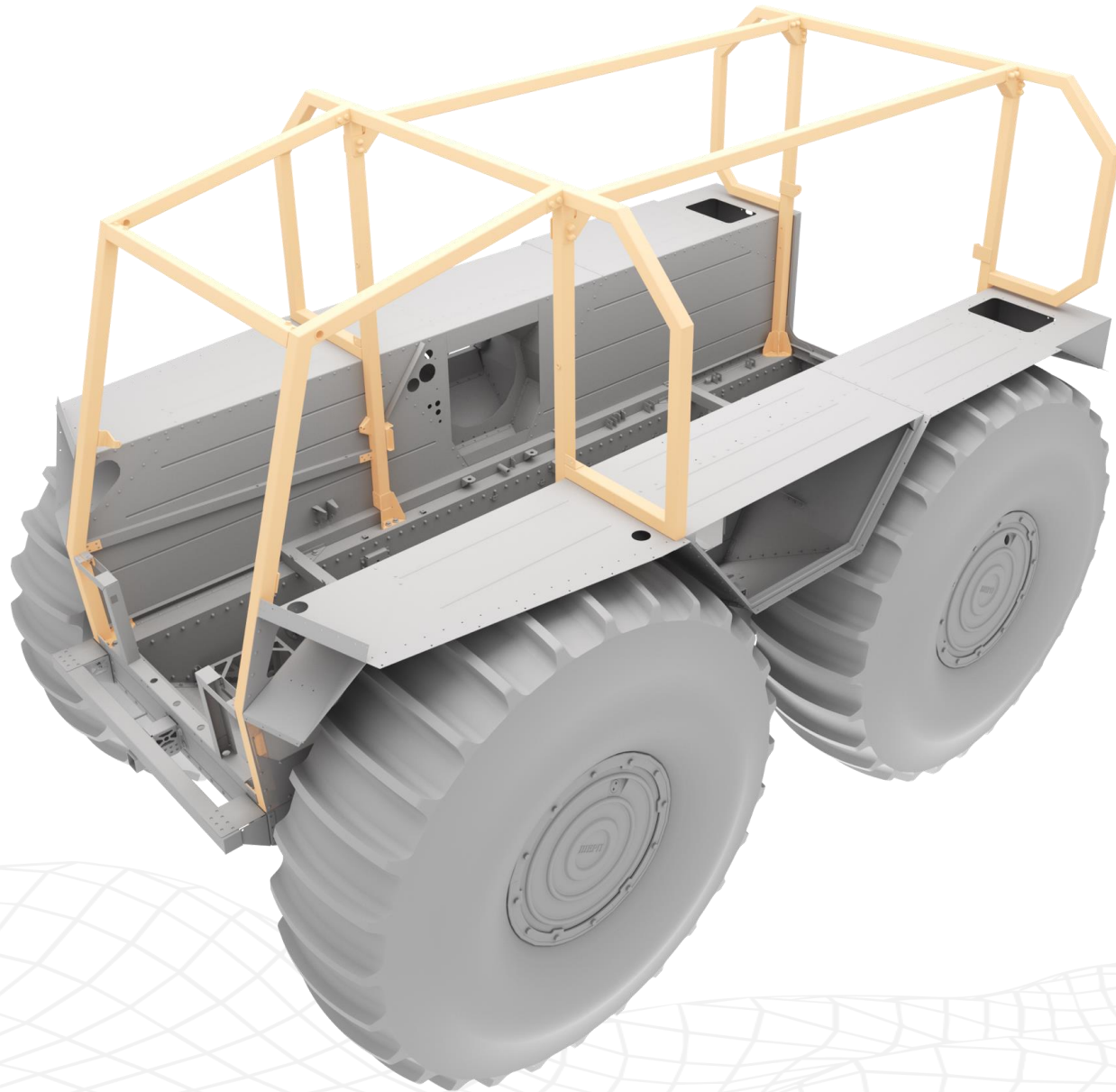
## **ALUMINUM BODY**



# **SINGLE-COMPARTMENT BODY**

The passenger/cargo section of the UTV is designed as a single-compartment body. It provides an increased level of comfort, and reliably protects anyone inside from external factors.





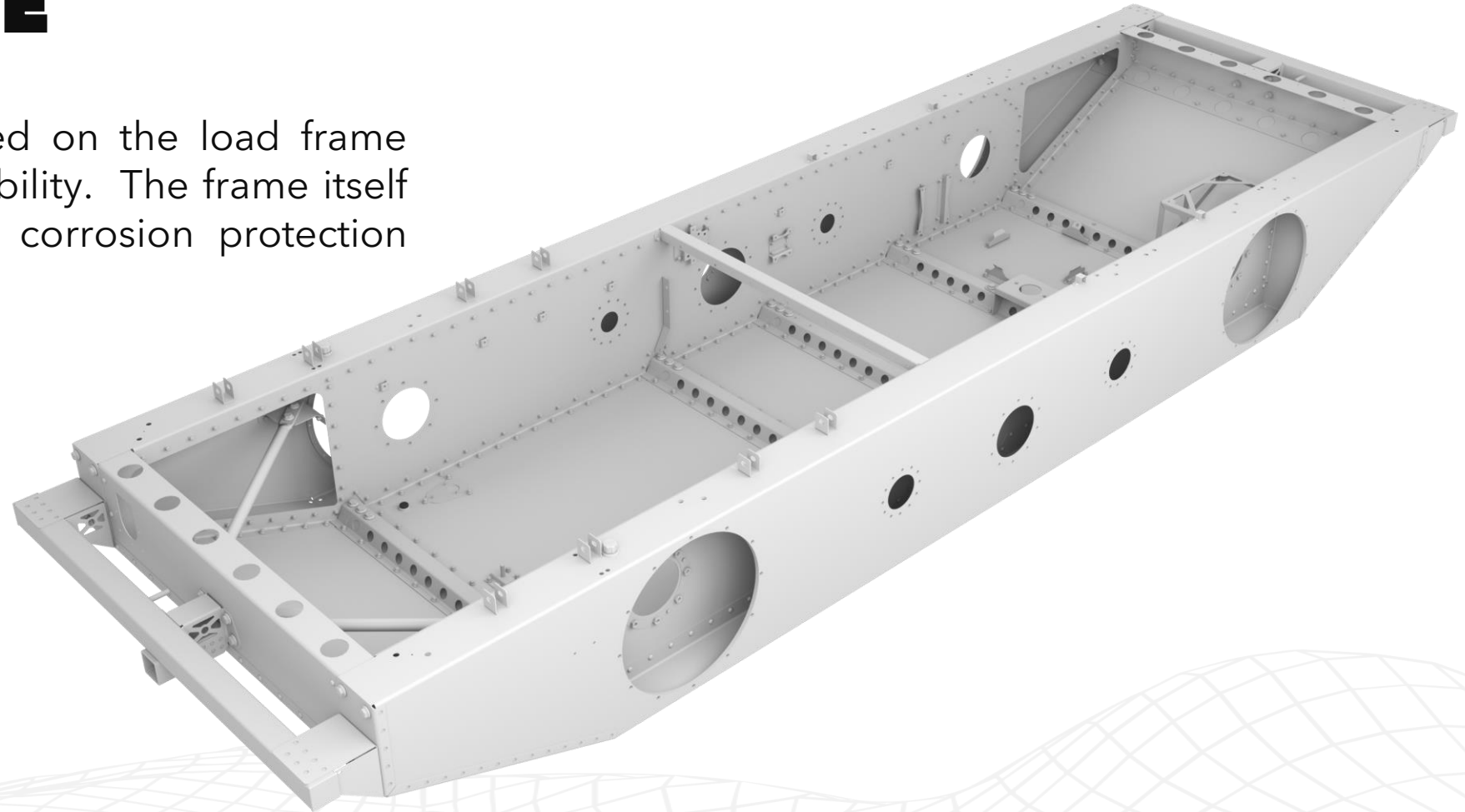
## **SAFETY. ROPS**

Safety is one the most important aspect of an UTV, that not only prevents from vehicle damage, but can save life in case of rollover.

The body construction of SHERP includes internal integrated ROPS made of Docol steel, that makes the UVT much more secure.

# LOAD FRAME

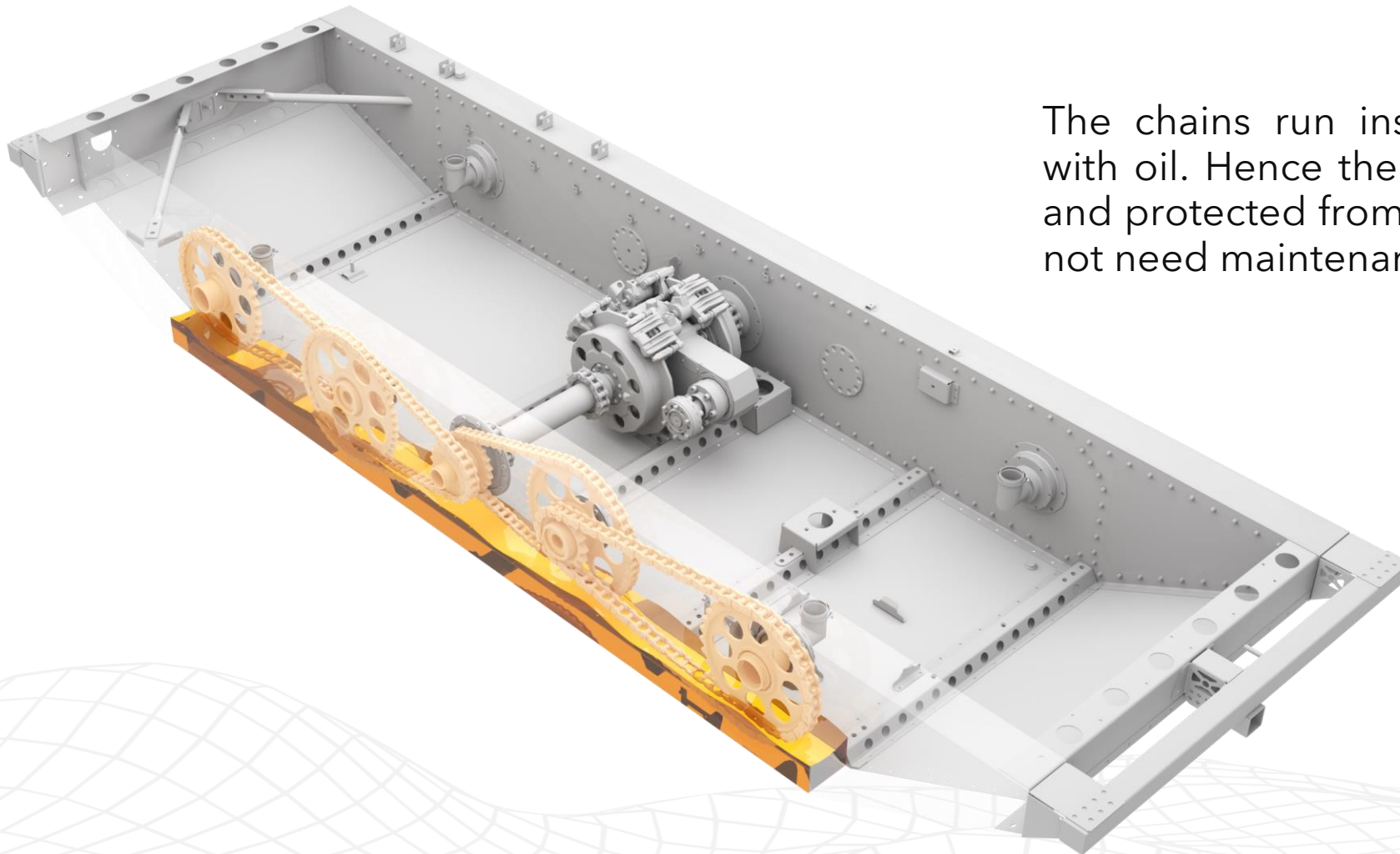
The UTV's design is based on the load frame that adds even more reliability. The frame itself is hot-dip galvanized for corrosion protection and extended service life.





# OIL BATHS

The chains run inside the hermetic tray filled with oil. Hence the chains are always lubricated and protected from outside environment and do not need maintenance.





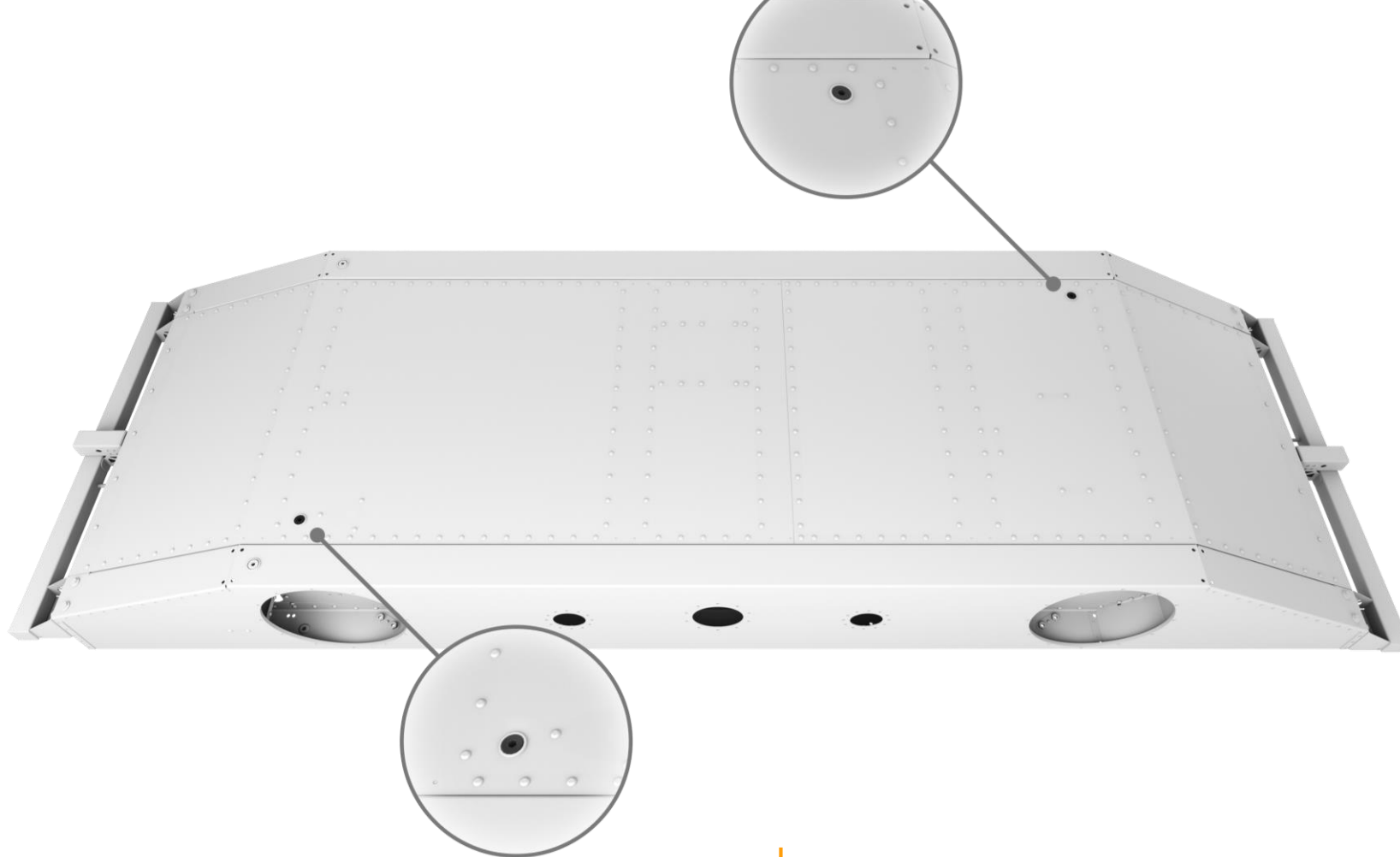


## FLAT BOTTOM

The bottom is flat to prevent debris getting caught by SHERP. This further improves cross-country capability and speed of SHERP.







Even if water gets into the body, it can be quickly drained using a special solution - automatic water pumping system. Additionally, the bottom is equipped with kingstone plugs - just open them and water drains out instantly.

## **AUTOMATIC WATER PUMPING SYSTEM**

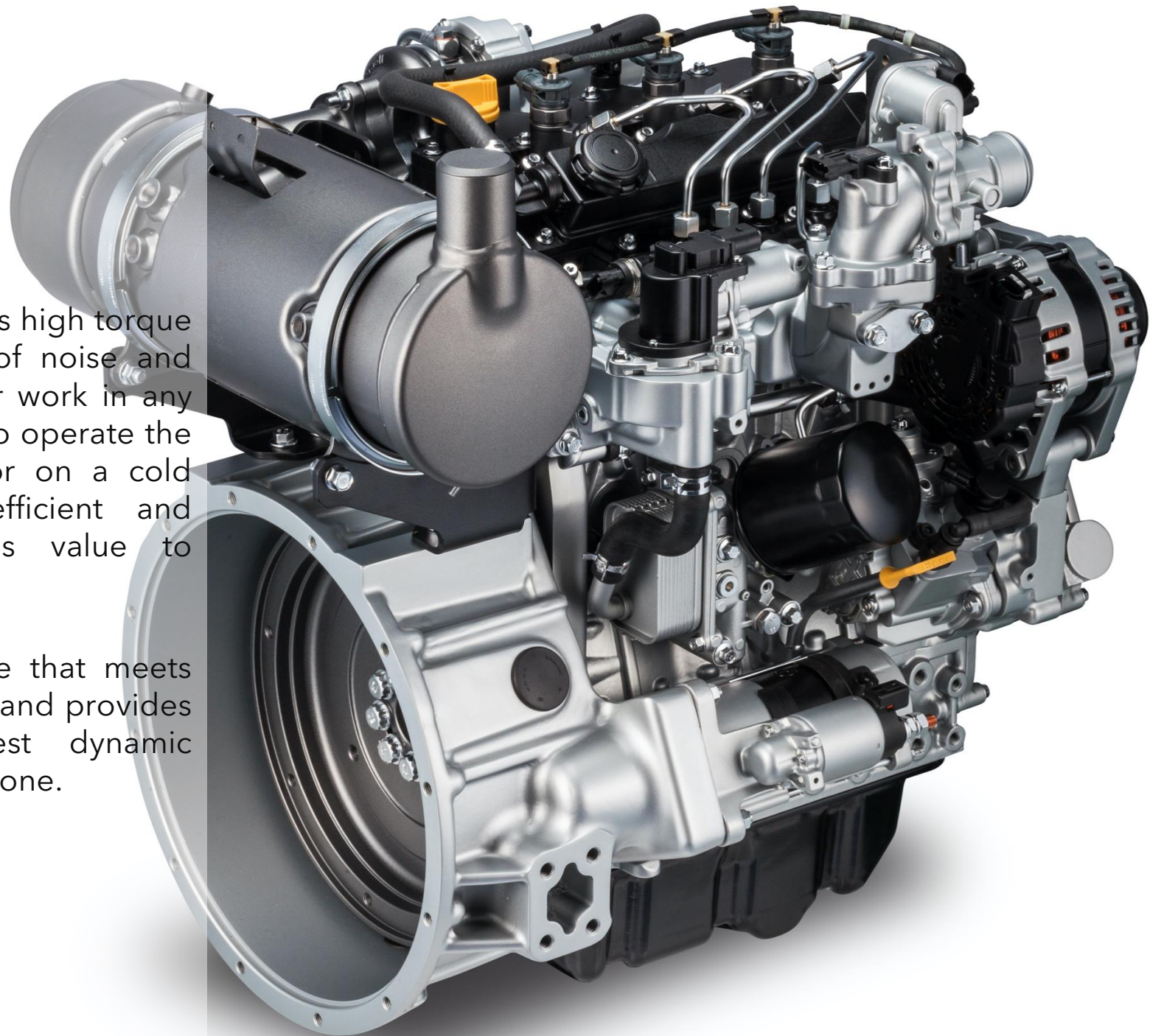


## **EFFICIENT ENGINE**

Doosan Infracore diesel engine provides high torque and fuel efficiency with a low level of noise and vibration. The engines are adapted for work in any climate zone, which makes it possible to operate the UTV both in hot desert conditions or on a cold glacier. This eco-friendly, highly efficient and optimum performance engine adds value to customer as well as environment.

Doosan D18 is an eco-friendly engine that meets Stage 5/Tier-4-final emission standards and provides power of 55hp/41kW. The highest dynamic performance on its class in any climate zone.

Warranty: 3,000 hours or 3 years.





## 6-SPEED GEARBOX

SHERP is equipped with 6-speed mechanical gearbox, that allows more efficient use of engine power.

## PARKING BRAKE

Reliable parking brake will keep the UVT in place in case of standing on a slope.







## CONTROL PANEL

Only professional instruments are used in SHERP. All instruments have proven to be highly accurate and reliable.





Multifunctional ECU is mounted in the pilot's cabin and monitors UTV's condition and core indicators, such recommended tire pressure scale, oil temperature, engine speed, battery power level, engine load, tire pressure (mm Hg), operating hours.

Additionally, ECU displays the rear-view camera.

## ELECTRONIC CONTROL UNIT

## **GALVANIZED WHEEL DISCS**

---

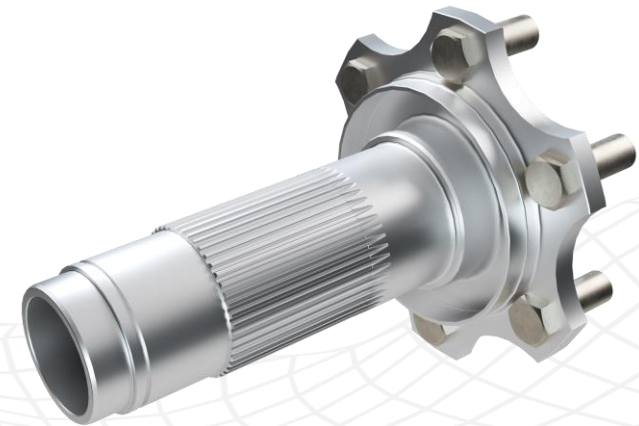


All UTV's wheel discs are hot-dip galvanized. This provides the highest corrosion resistance and durability.

## **REINFORCED SEMI-AXLES**

---

The UTV's semi-axles are made of forgings. This gives them additional strength, making them lighter and more robust.





# PASSENGER COMPARTMENT HEATING

---



Webasto AirTop 2000 STC autonomous heater is used to heat the passenger compartment. This heater will help start the engine even at critically low temperatures.

# ADDITIONAL BATTERY

---

SHERP is equipped with additional battery, that will help to start the engine in case of any trouble with main battery at extremely low temperatures.



## **SIMPLE TO REPAIR**

---

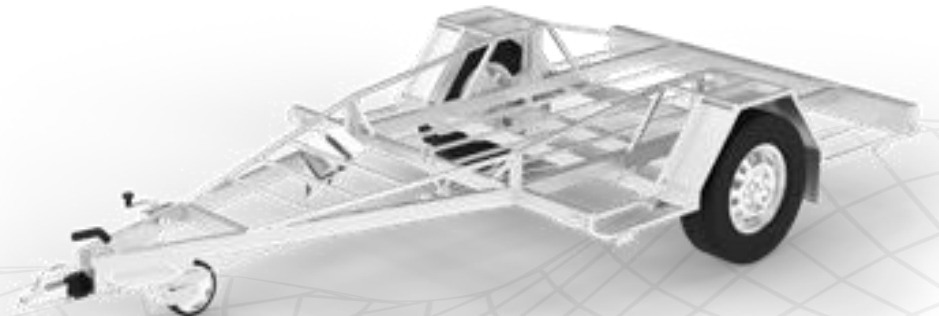


If needed, maintenance or repair of SHERP can be performed directly from the passenger compartment. All works can be done at any time and in any place, without regard to the external environment.

## **TRANSPORTATION**

---

SHERP can be transported on public roads on a special trailer. The unique design enables UTV to climb the trailer platform and self-lock in just 15 seconds.













# EXTERIOR

- Increased wheelbase and larger tires allow driving with greater comfort on any difficult terrain
- Galvanized, rust-resistant body. Extended lifetime
- Aluminum body: lighter vehicle and low center of gravity







**SHERP ADVANTAGES**



**FRONT DOOR.  
3 POINTS OF SUPPORT**



**BACK DOOR**







# TRAILER HITCH

The bumper is a towing device that allows you to evenly distribute the load on the SHERP frame. Bumper is located both front and rear.





# RAPTOR

## BODY PAINT COATING

Body of the UTV are covered with highly durable **Raptor** polyurethane coating to protect them from corrosion and minor mechanical damage.











# INTERIOR

- The re-designed driver's seat with increased comfortability.
- Includes up to 6 seats with 3-point seatbelts and up to 9 seats with 2-point seatbelts.
- Advanced interior ergonomics: controls and buttons are located in more convenient and accessible places.









## **VISIBILITY & GLASSES**

The body has large side windows and a sunroof that provide comfortable visibility and minimizing risks while driving.

The UTV has triplex front windows. This material provide high reliability and safety in all situations.

Additionally, the windows are equipped with defogger and defroster systems.





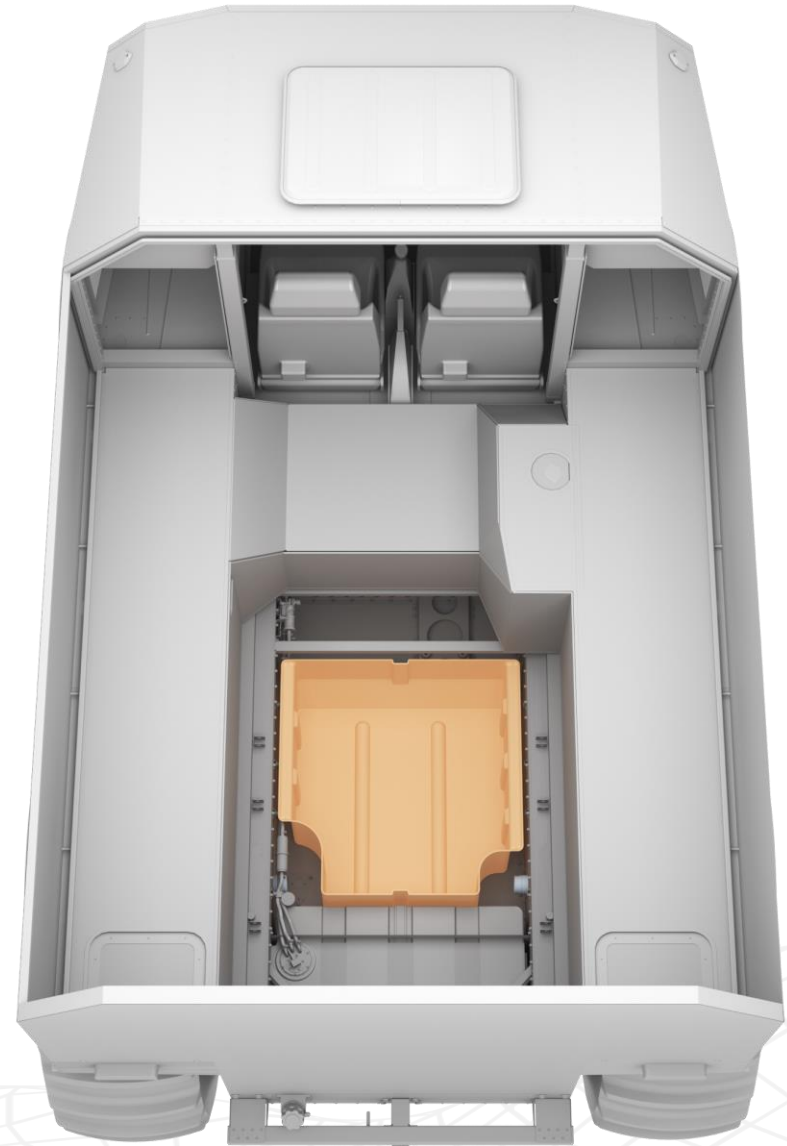


The camera allows the driver to fully control the environment behind the UTV. It is crucial in the wild, as well as when moving backwards.

## **REAR-VIEW CAMERA**

## **ADDITIONAL STORAGE SPACE UNDER THE FOOTBOARDS**

The UTV has 135 L (35 Gal) hold, which can be used as an additional storage for supplies, goods and equipment.







Pre-operation check and after-operation services

- check the engine oil level and fill it up if it is necessary.
- check the coolant level and fill it up if it is necessary (the engine should be cold).
- remove dust (leaves, needles, etc.) from the radiator suction grille and the engine duct grille and from the engine compartment.
- check tires for damage, check the tire pressure accuracy (depending on the supposed conditions of use), check clutch brake and wheel drive chain tension and lubricate, tighten and lubricate if needed.

The UTV is equipped with a hatch, which can be used as emergency exit.

## HATCH





**2 BACKSEATS**



**4 BACKSEATS**







**7 BACKSEATS**



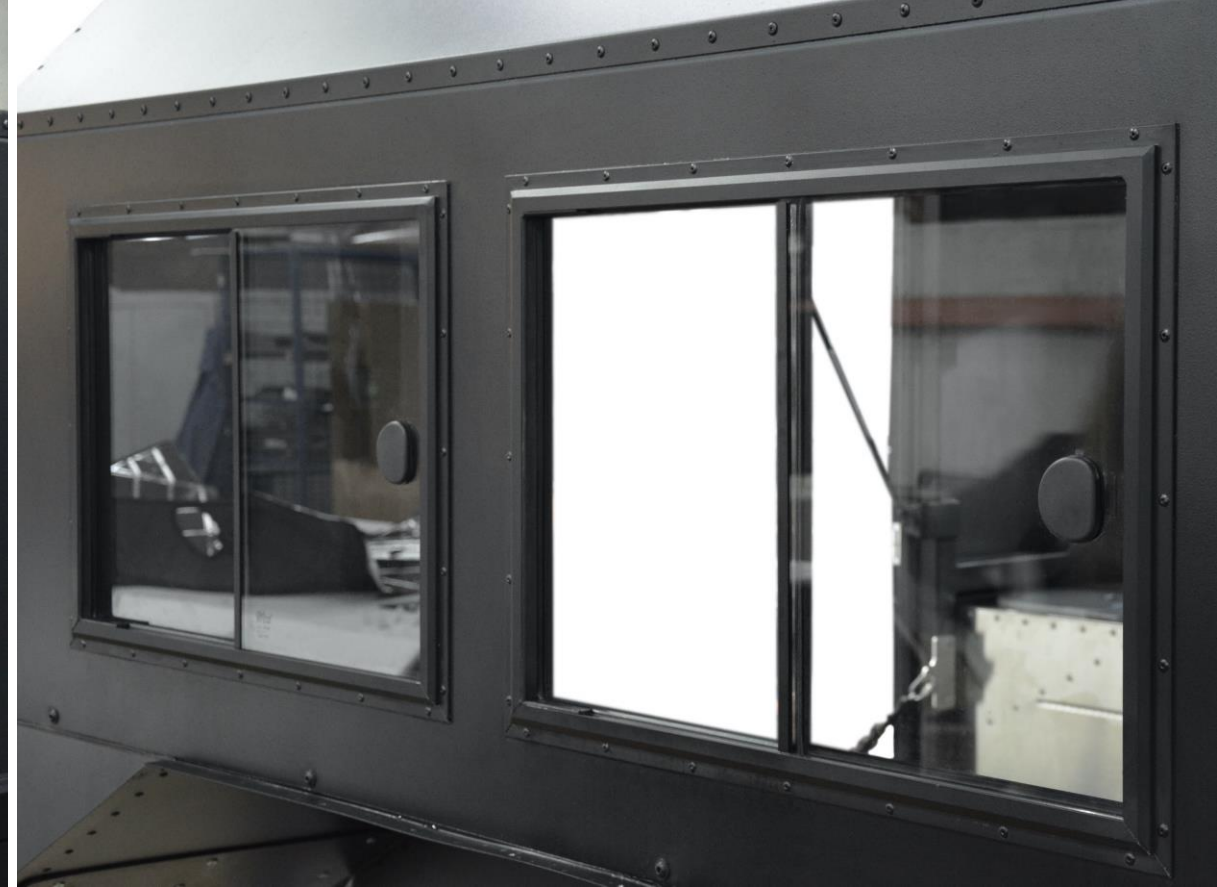
**OPTIONS**







**2 SIDE WINDOWS**



**4 SIDE WINDOWS**



# WINCH

A powerful winch with three-stage planetary gearbox with a pulling force of 9000 lb (4082 kg), will help you get out of almost any unforeseen situation or help others.

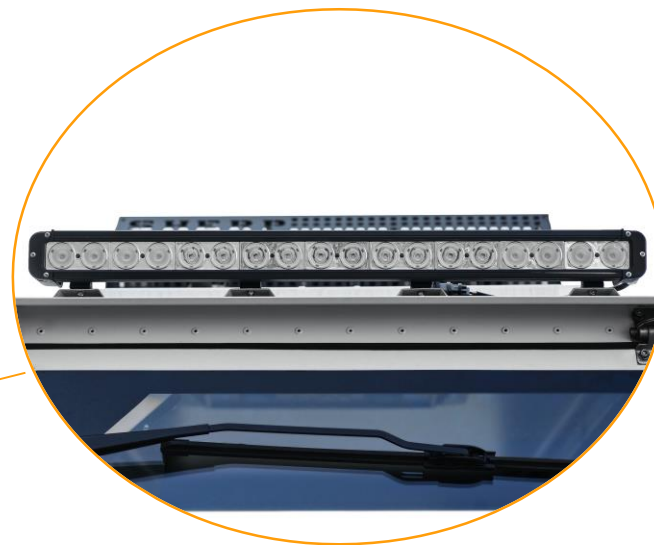


Powerful LED headlamps are designed to work in the most severe conditions; they are waterproof and continue to operate even at extreme temperatures.

## LED REAR LIGHTS



## LED LIGHTBAR







Compact and economical air conditioner, but powerful enough, is mounted on the roof of the UTV. It allows you to solve problems with maintaining a comfortable temperature level in the interior of the UTV, regardless of how hot it is outside.

## **AIR CONDITIONING**

## BAGGAGE RACK



This product is specially designed taking into account the design features of the UTV for the most efficient and reliable placement of cargo inside the cabin. The system is equipped with quick-detachable firefighting carabiners that allow easy to attach oversized cargo.







# SPECIFICATIONS

Body type	Hardtop
Body material	Steel (frame and bottom, hot dripped galvanized) and aluminium (cabin)
Steering	Skid steering
Tire size	1800x600x25 (71x23x25in)
Type of tyres	Tubeless, extra-low pressure
Suspension	Pneumatic circulating
Maximum speed (at the top-gear)	up to 40 km/h (25 Mph)
Minimum speed (at the low-gear)	2 km/h (1,2 Mph)
Engine model	Doosan D18
Fuel type	diesel
Emission control	Stage 5 / Tier-4-final
Engine DOC (Diesel Oxidation Catalyst)	DOC+DPF/DOC only





# SPECIFICATIONS

Fuel consumption	5 - 8 l/h
Engine displacement	1.8 L
Cylinder count	3
Max engine power	41 kW (55 hp)
Max engine torque	190 Nm
Generator Performance	140 A
Fuel tank volume	95 L
Capacity of additional fuel canisters	4 x 58 L (15 gal)
Gearbox	mechanical, 6-speed
Dry weight	2400 kg
Loading capacity	up to 1200 kg
Towing capacity	2350 kg



# SPECIFICATIONS

Cabin internal volume	2 m <sup>3</sup>
Rear space internal volume	5,8 m <sup>3</sup>
Overall internal volume	7,8 m <sup>3</sup>
Maintenance interval	250 hours (first 50 hours)
Parking brake system	Mechanical handbrake
<b>Base Model Includes:</b>	
Cabin and passenger module ROPS	3-point seatbelt for driver and passenger
Backup battery	Glove boxes and cup holders
Rear view camera	Under floor storage boxes
LED hi-beam and low-beam	Additional fuel tank rims
Towing hitch integrated in front and rear bumpers	Autonomous heater
Integrated front and rear footboards	Preparing for A/C









# MANUFACTURER'S WARRANTY

SHERP is fully covered by the official manufacturer's warranty. In case of any malfunctions, you can always rely on fast and qualified help of our experts.

Original manufacturer's warranty gives your confidence in reliable operation of the UTV and timely help of our professionals.

Our customer service is available 24/7!





# SERVICE 24H & SPARE PARTS

## COMPREHENSIVE CUSTOMER ALL-ROUND ASSISTANCE AND THE RIGHT WAY OUT OF ANY SITUATION

- Answers to all questions raised, consultations, vehicle malfunction advisory and technical assistance provision with all the necessary equipment
- Repairs in accordance with SHERP standards and regulations, (using original spare parts usage and rules of warranty processing).







## TEST-DRIVES

The best way to prove the capabilities of the UTV is to test it yourself. For this purpose, the company offers regular test drives in natural environment: on testing ranges with hills, ravines, reservoirs, and sand banks.

Test drive is a real challenge and a unique opportunity to witness simple operation, strength and cross-country capability of SHERP.









# MORE ABOUT US



<https://sherp.global>



<https://www.facebook.com/sherp.global>

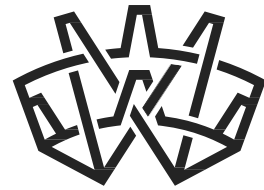


[sherp.atv](https://www.instagram.com/sherp.atv)



<https://www.linkedin.com/company/sherp-ua>





**SHERP**

